

Smart HMI with 9.7" XGA TFT Display



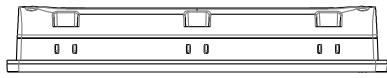
Feature

- 9.7" 1024 x 768 TFT LCD
- Fan-less Cooling System
- Built-in 32GB SSD and RTC
- SD Card Slot Supports SD/SDHC/SDXC Cards
- Built-in Power Isolator
- NEMA4 / IP65 Compliant Front Panel

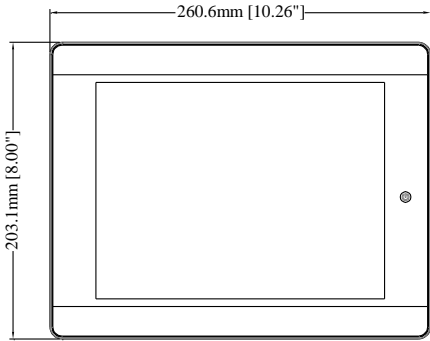
| | | |
|----------------------|---------------------------------|---|
| Display | Display | 9.7" TFT |
| | Resolution | 1024 x 768 |
| | Brightness (cd/m ²) | 350 |
| | Contrast Ratio | 500:1 |
| | Backlight Type | LED |
| | Backlight Life Time | >30,000 hrs. |
| | Colors | 262K |
| | LCD Viewing Angle (T/B/L/R) | 60/70/70/70 |
| Touch Panel | Type | 4-wire Resistive Type |
| | Accuracy | Active Area Length(X)±2%, Width(Y)±2% |
| Memory | SSD | 32 GB |
| | RAM | 4 GB |
| Processor | | Intel Atom E3827 |
| I/O Port | SD Card Slot | SD/SDHC/SDXC |
| | USB Host | USB 2.0 x 2 / USB 3.0 x 1 |
| | Ethernet | 10/100/1000 Base-T x 2 |
| | Audio Output | Built-in Mono Speaker Audio Line Out – 3.5 mm jack x 1 |
| RTC | | Built-in |
| Power | Input Power | 24±20%VDC |
| | Power Isolation | Built-in |
| | Power Consumption | 1.5A@24VDC |
| | Voltage Resistance | 500VAC (1 min.) |
| | Isolation Resistance | Exceed 50MΩ @ 500VDC |
| | Vibration Endurance | 10 to 25Hz (X, Y, Z direction 2G 30 minutes) |
| Specification | PCB Coating | Yes |
| | Enclosure | Plastic |
| | Dimensions WxHxD | 260.6 x 203.1 x 44.5 mm |
| | Panel Cutout | 250 x 192 mm |
| | Weight | Approx. 1.1 kg |
| | Mount | Panel mount, VESA mount 75 x 75 mm |
| | | |
| Environment | Storage Temperature | -20° ~ 60°C (-4° ~ 140°F) |
| | Operating Temperature | 0° ~ 50°C (32° ~ 122°F) |
| | Relative Humidity | 10% ~ 90% (non-condensing) |
| | | |
| Certificate | CE | CE marked |
| | UL | Application in progress |
| OS Support | | *Windows® 7 / Windows® 8.1 (EasyLauncher + cMT Viewer) |

*License of Windows OS is excluded.

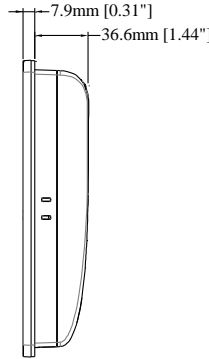
Dimensions



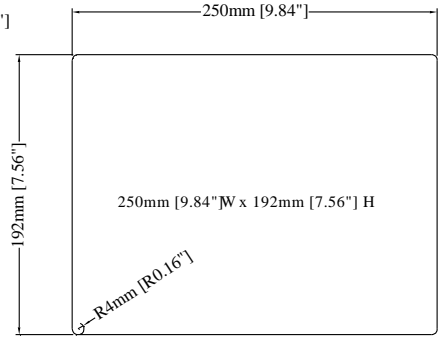
Top View



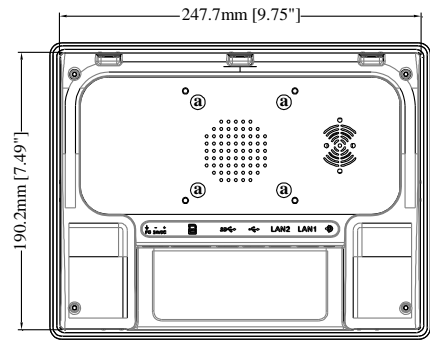
Front View



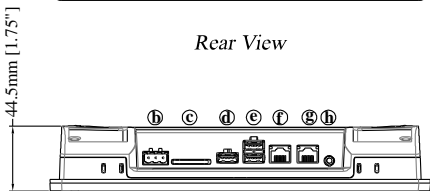
Side View



Cutout Dimensions



Rear View



Bottom View

| | | | |
|----------|-----------------------|----------|----------|
| a | VESA 75mm Screw Holes | h | Line Out |
| b | Power Connector | | |
| c | SD CARD SLOT | | |
| d | USB Host port 3.0 | | |
| e | USB Host port 2.0 | | |
| f | LAN 2 | | |
| g | LAN 1 | | |

Ordering Information

- cMT-iPC10:**
 9.7" TFT LCD Smart HMI, 32GB SSD, 4GB DDR3L SO-DIMM