

## Human Machine Interface with 4.3" TFT LCD display

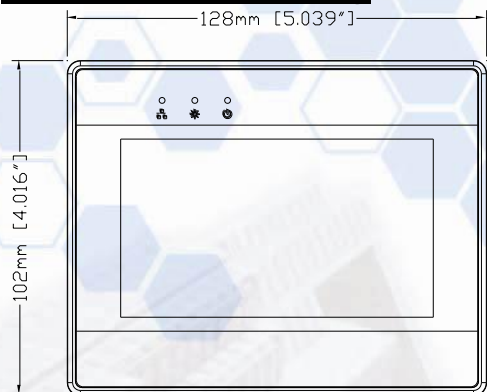


### ◆ Features

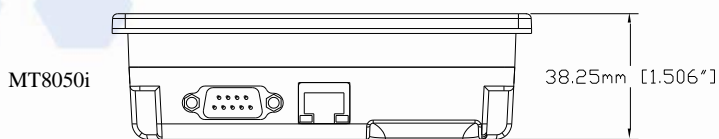
- 4.3" 480x272 TFT LCD
- Fan-less cooling system
- NEMA4/IP65 compliant front panel
- LED Back Light
- Ethernet Port (10/100 Base-T)
- Power Isolator Inside
- Com1 RS485 supports MPI 187.5K

<b>Display</b>	Display	4.3" TFT
	Resolution	480 x 272
	Brightness (cd/m <sup>2</sup> )	300
	Contrast Ratio	500:1
	Backlight Type	LED
	Backlight Life Time	30,000 hrs.
	Colors	65536
<b>Touch Panel</b>	Type	4-wire Resistive Type
	Accuracy	Active Area Length(X)±2%, Width(Y)±2%
<b>Memory</b>	Storage(MB)	128
	RAM (MB)	64
<b>Processor</b>		32Bit RISC 400MHz
<b>I/O Port</b>	SD Card Slot	N/A
	USB Host	N/A
	USB Client	N/A
	Ethernet	10/100 Base-T
	COM Port	Com1: RS-232/RS-485 2w/4w, Com3: RS-485 2w
<b>RTC</b>		Built-in
<b>Power</b>	Input Power	24±20%V <sub>DC</sub>
	Power Consumption	250mA@24VDC
	Power Isolation	Built In
	Voltage Resistance	500VAC (1 min)
	Isolation Resistance	Exceed 50MΩ at 500VDC
	Vibration Endurance	10 to 25Hz(X,Y,Z direction 2G 30 minutes)
<b>Specification</b>	Enclosure	Plastic
	Dimensions WxHxD	128 x 102 x 38mm
	Panel Cutout (mm)	119 x 93
	Weight (kg)	Approx. 0.3 kg
<b>Environment</b>	Protection Structure	NEMA4 / IP65
	Storage Temperature	-20°~60°C (-4° ~ 140°F)
	Operating Temperature	0° ~ 50°C (32° ~ 122°F)
	Relative Humidity	10% ~ 90% @ 40°C, non-condensing
<b>Certifications</b>	CE	EN 55022:2006, Class A, EN 61000-3-2:2006, EN 61000-3-3:1995+A1:2001+A2:2005, EN 55024:1998+A1:2001+A2:2003
<b>Software</b>		EB8000 V4.1.0 or later

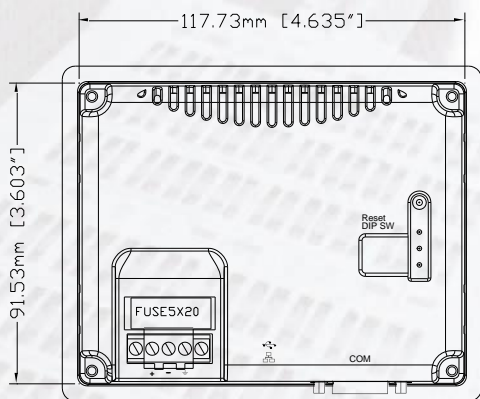
## ◆ Dimensions Drawing



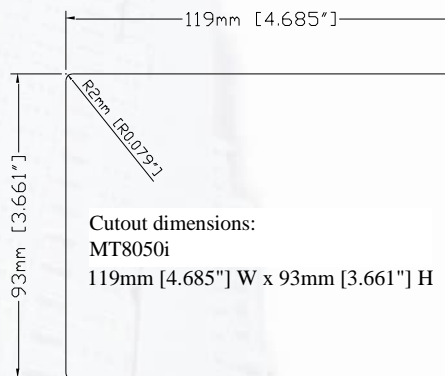
**Front View**



**Bottom View**



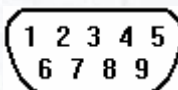
**Rear View**



Cutout dimensions:  
 MT8050i  
 119mm [4.685"] W x 93mm [3.661"] H

## Pin Designations

Pin assignment of the 9 Pin, Male, SUB-D  
 Com1[RS-232], Com1[RS-485 2w/4w], Com3[RS-485]



Pin#	Com1[RS485]		Com1[RS232]	Com3[RS485]
	4 wire	2 wire		
1	Rx-	Data-		
2	Rx+	Data+		
3	Tx-			
4	Tx+			
5	Signal Ground (GND)			
6			Transmit(TxD)	
7				Data-
8				Data+
9			Receive(RxD)	

### Ordering Information

**MT8050iV3:**  
 4.3" TFT LCD HMI, 128MB flash memory/64MB DDR2 RAM on board.

Contact: WEINTEK LABS., INC. TEL: +886-2-22286770 Web: [www.weintek.com](http://www.weintek.com)